
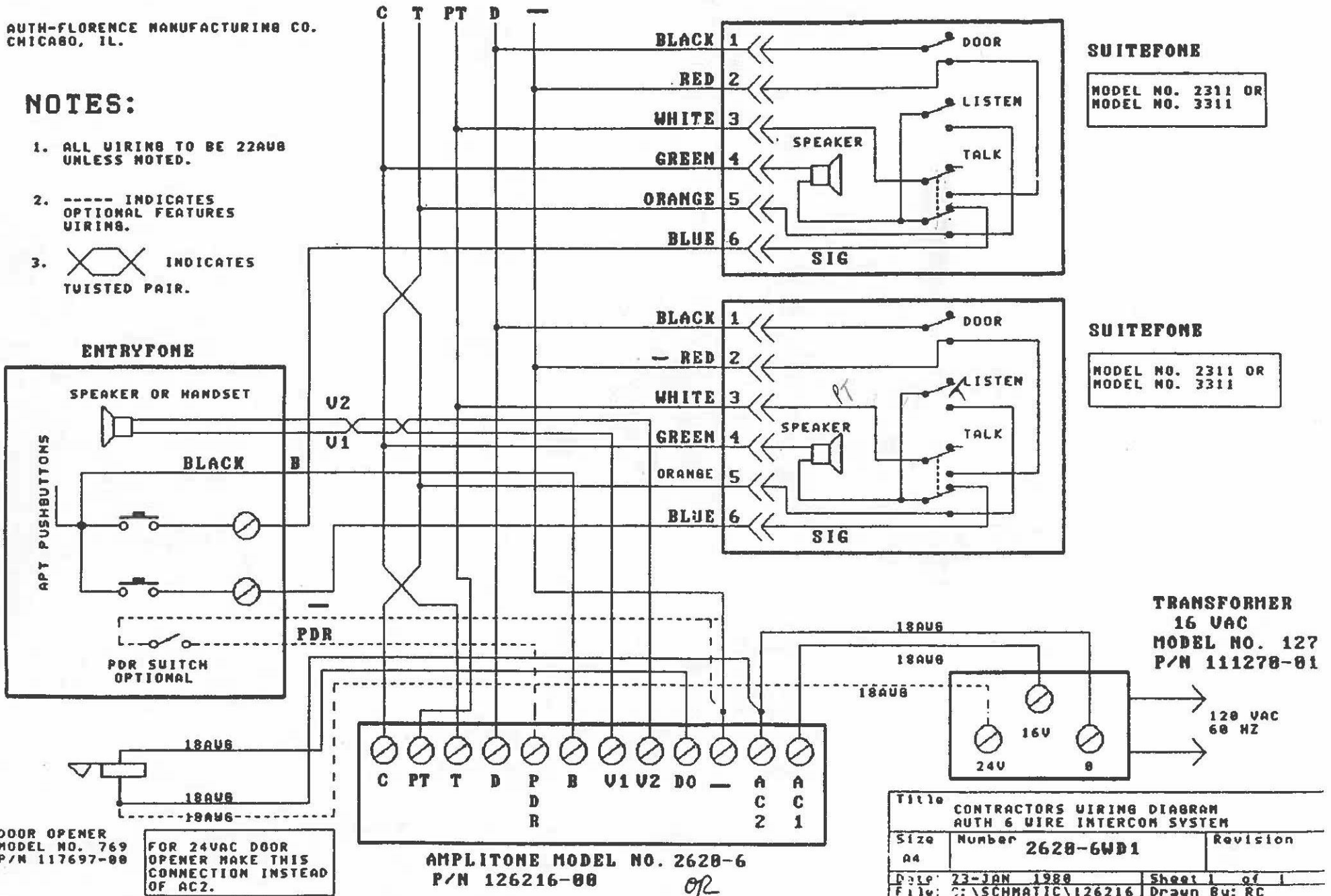


AUTH-FLORENCE MANUFACTURING CO.  
CHICAGO, IL.

**NOTES:**

1. ALL WIRING TO BE 22AWG UNLESS NOTED.
2. - - - - - INDICATES OPTIONAL FEATURES WIRING.
3.  INDICATES TWISTED PAIR.



**SUITEFONE**  
MODEL NO. 2311 OR  
MODEL NO. 3311

**SUITEFONE**  
MODEL NO. 2311 OR  
MODEL NO. 3311

**TRANSFORMER**  
16 VAC  
MODEL NO. 127  
P/N 111278-01

DOOR OPENER  
MODEL NO. 769  
P/N 117697-00

FOR 24VAC DOOR  
OPENER MAKE THIS  
CONNECTION INSTEAD  
OF AC2.

AMPLITONE MODEL NO. 2628-6  
P/N 126216-00

*or*  
*3088*

Title CONTRACTORS WIRING DIAGRAM AUTH 6 WIRE INTERCOM SYSTEM		
Size A4	Number 2628-6WD1	Revision
Date 23-JAN 1980	Sheet 1 of 1	Drawn By: RC
File: C:\SCHEMATIC\126216		